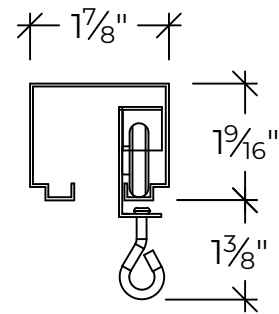




IWEISS

drapery • rigging • theatrical supplies
automation • artifact handling

**IWEISS Align
Low Profile Channel Track**



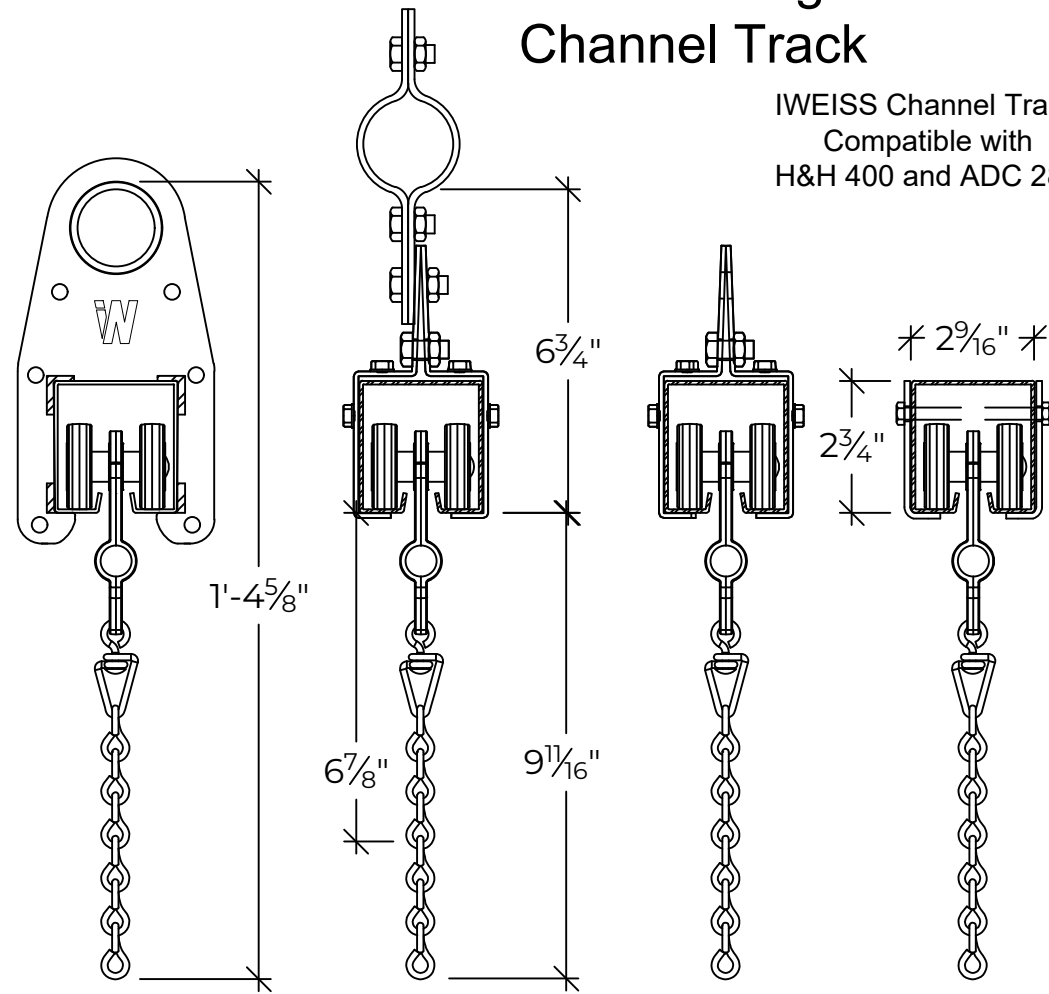
Track Comparison

Provide all measurements as
Bottom of Track to Finish Floor

Specify Floor Clearance Required
IWEISS Standard: 2"

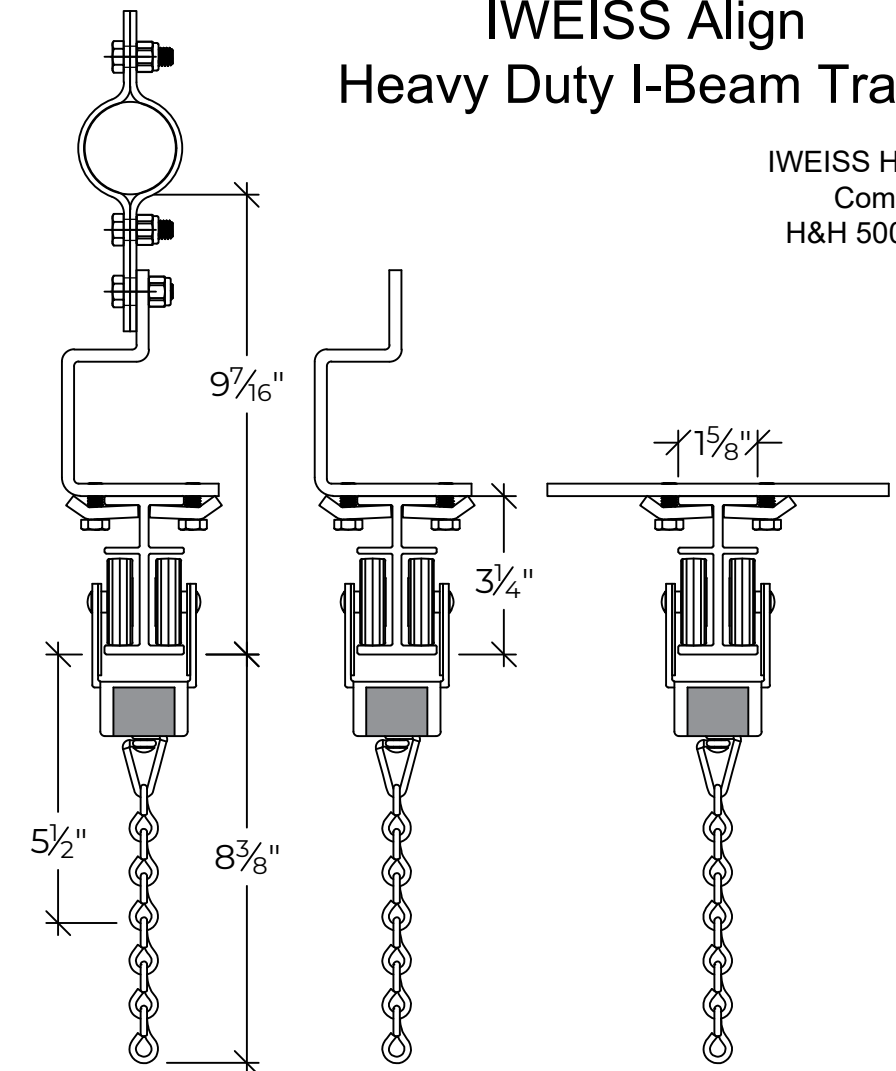
**IWEISS Align
Channel Track**

IWEISS Channel Track
Compatible with
H&H 400 and ADC 280



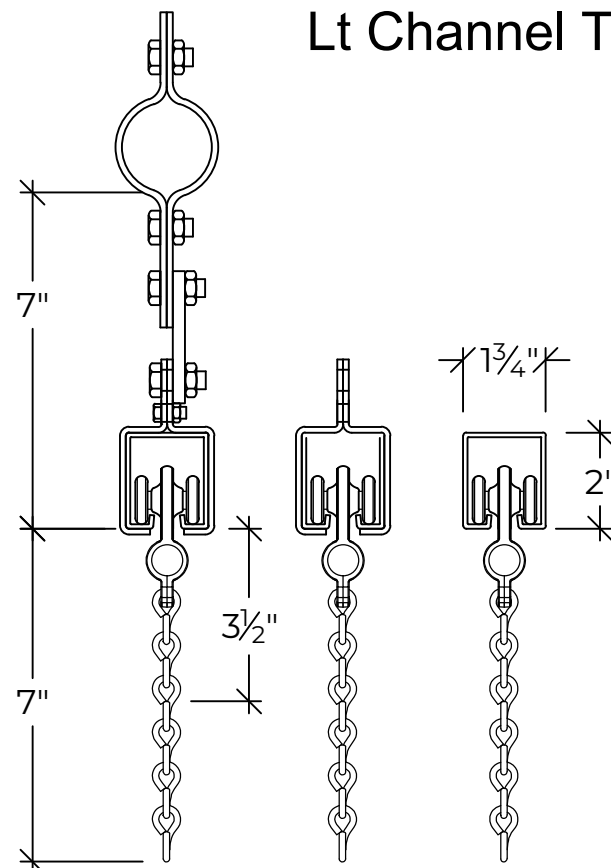
**IWEISS Align
Heavy Duty I-Beam Track**

IWEISS HD I-Beam Track
Compatible with
H&H 500 and ADC 500



**IWEISS Align
Lt Channel Track**

IWEISS Channel Track
Compatible with
H&H 100 and ADC 170



**IWEISS Align
Lite Duty I-Beam Track**

IWEISS Lite Duty I-Beam Track
Compatible with
H&H 300 and ADC 140

